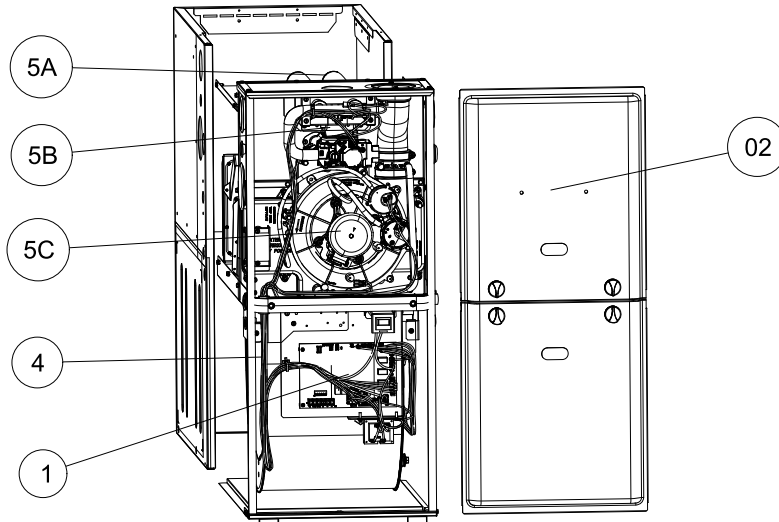


96% SS STD ECM FURNACE OTC

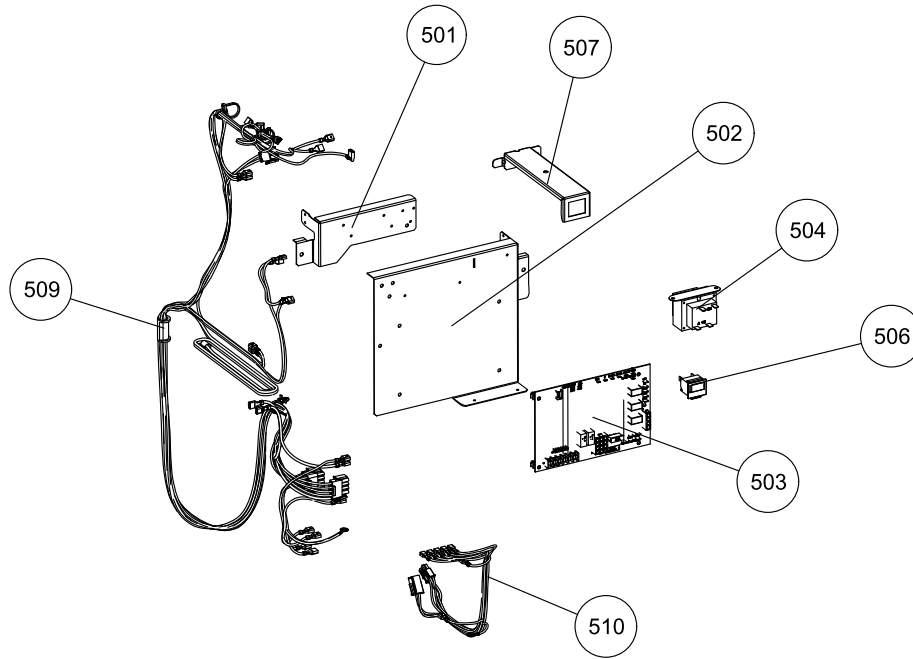
REPAIR PARTS LIST

PRINTED DATE: 1/28/2025

The information provided to you may include Johnson Controls' trade secrets, intellectual property, and confidential business information (including its Bill of Materials), and this information is to be kept in the strictest confidence and not to be disclosed to any third party without the prior written consent of Johnson Controls.



Section	Description
1	ELECTRICAL BOX / CONTROLS
2	SHEET METAL / CABINET PARTS
4	INDOOR BLOWER PARTS
5A	HEAT EXCHANGER
5B	BURNER ASSEMBLY
8	MISCELLANEOUS



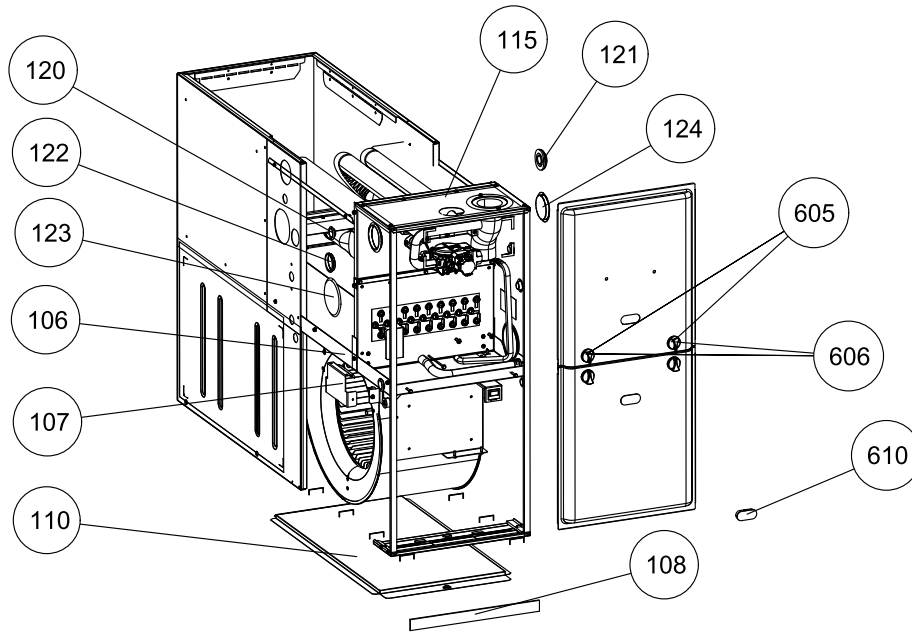
Section : ELECTRICAL BOX / CONTROLS

Section	Callout	Replacement Part #	Description	Original Part #	RG19040 A10MPS1	RG19060 A10MPS1	RG19060 B12MPS1	RG19080 B12MPS1	RG19080 C16MPS1
1	501	S1-37347226001	PNL,CONTROL,ASSEM,LT AND RT PANEL	S1-37347226001	1	1	1	1	1
1	502	S1-37347226001	PNL,CONTROL,ASSEM,LT AND RT PANEL	S1-37347226001	1	1	1	1	1
1	503	S1-03103882000	BOARD,CIRCUIT,MAIN,FURN,80 PERCENT SS	S1-03103882000	1	1	1	1	1
1	504	S1-2940A3541	TRNSF,120V,24V/40VA,50/60HZ	S1-2940A3541	1	1	1	1	1
1	505	S1-02435604000	KIT,CHOKE,ECM 12.00A	S1-02435604000					1
1	506	S1-02442182000	SWITCH,ROCKER,DOOR	S1-02442182000	1	1	1	1	1
1	507	S1-07348800001	BRACKET,DOOR SWITCH	S1-07348800001	1	1	1	1	1
1	509	S1-02552096000	HRNS,MAIN,WIRING,FURN,96 PCT SS,A-B CAB	S1-02552096000	1	1	1	1	
1	509	S1-02553160000	HRNS,MAIN,WIRING,FURN,96 PCT SS,C-D CAB	S1-02553160000					1
1	510	S1-02553161000	HARNESS,MOTOR,ENSITE	S1-02553161000	1	1	1	1	1

Section	Callout	Replacement Part #	Description	Original Part #	RG19080 C20MPS1	RG19100 C16MPS1	RG19100 C20MPS1	RG19120 D20MPS1
1	501	S1-37347226001	PNL,CONTROL,ASSEM,LT AND RT PANEL	S1-37347226001	1	1	1	1
1	502	S1-37347226001	PNL,CONTROL,ASSEM,LT AND RT PANEL	S1-37347226001	1	1	1	1

1	503	S1-03103882000	BOARD,CIRCUIT,MAIN,FURN,80 PERCENT SS	S1-03103882000	1	1	1	1	
1	504	S1-2940A3541	TRNSF,120V,24V/40VA,50/60HZ	S1-2940A3541	1	1	1	1	
1	505	S1-02435604000	KIT,CHOKE,ECM 12.00A	S1-02435604000	1	1	1	1	
1	506	S1-02442182000	SWITCH,ROCKER,DOOR	S1-02442182000	1	1	1	1	
1	507	S1-07348800001	BRACKET,DOOR SWITCH	S1-07348800001	1	1	1	1	
1	509	S1-02553160000	HRNS,MAIN,WIRING,FURN,96 PCT SS,C-D CAB	S1-02553160000	1	1	1	1	
1	510	S1-02553161000	HARNESS,MOTOR,ENSITE	S1-02553161000	1	1	1	1	

Suggested stocking items are shown with shaded item number.



Section : SHEET METAL / CABINET PARTS

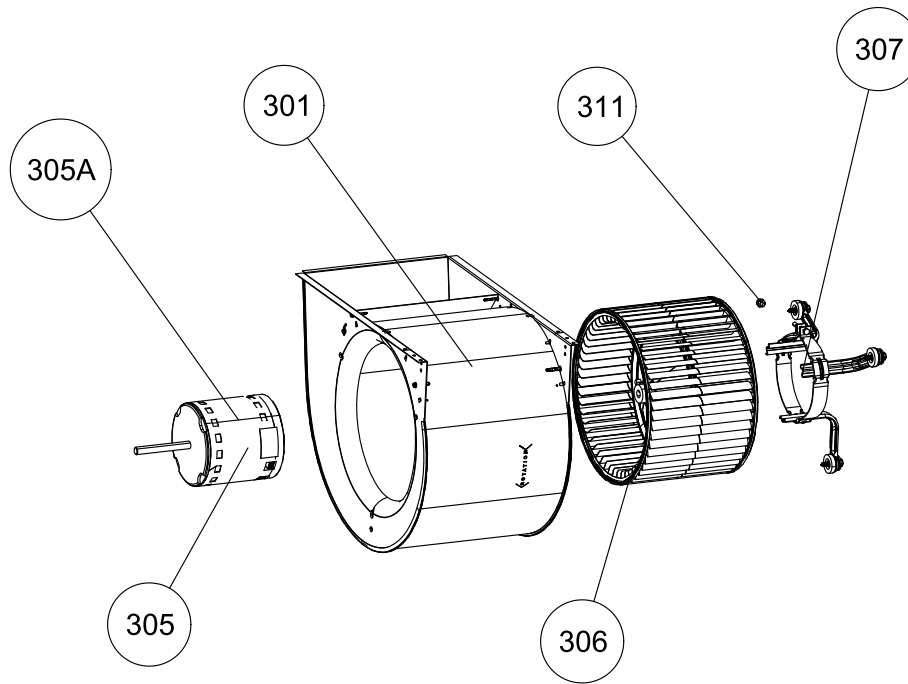
Section	Callout	Replacement Part #	Description	Original Part #	RG19040 A10MPS1	RG19060 A10MPS1	RG19060 B12MPS1	RG19080 B12MPS1	RG19080 C16MPS1
2	106	S1-07347221001	PNL,BLW DECK,FURNACE,A-CABINET	S1-07347221001	1	1			
2	106	S1-07347222001	PNL,BLW DECK,FURNACE,B-CABINET	S1-07347222001			1	1	
2	106	S1-07347223001	PNL,BLW DECK,FURNACE,C-CABINET,4T	S1-07347223001					1
2	107	S1-07348802001	BRACKET,BLOWER TRACK	S1-07348802001	2	2	2	2	2
2	108	S1-02818895000	BRACKET,DOOR,FURNACE,A-CABINET	S1-02818895000	1	1	1	1	
2	108	S1-02818897000	BRACKET,DOOR,FURNACE,C-CABINET	S1-02818897000					1
2	110	S1-07327827001	PNL,BLOCKOFF 14.5 INCH CABINET	S1-07327827001	1	1			
2	110	S1-07327827002	PNL,BLOCKOFF 17.5 INCH CABINET	S1-07327827002			1	1	
2	110	S1-07327827003	PNL,BLOCKOFF 21 INCH CABINET	S1-07327827003					1
2	111	S1-07327841001	CASING,BOTTOM,14.5 INCH,CHAMPAGNE	S1-07327841001	1	1			
2	111	S1-07327841002	CASING,BOTTOM,17.5 INCH,CHAMPAGNE	S1-07327841002			1	1	
2	111	S1-07327841003	CASING,BOTTOM,21.5 INCH,CHAMPAGNE	S1-07327841003					1
2	115	S1-07348808001	PNL,TOP,96 PCT,A-CAB,CHAMPAGNE	S1-07348808001	1	1			
2	115	S1-07348809001	PNL,TOP,96 PCT,B-CAB,CHAMPAGNE	S1-07348809001			1	1	

2	115	S1-07348810001	PNL,TOP,96 PCT,C-CAB,CHAMPAGNE	S1-07348810001					1
2	120	S1-02815853000	PLUG,SEAL 7/8 INCH HOLE BLACK	S1-02815853000	5	5	5	5	5
2	121	S1-02804859900	GRMMT,PVC,0.88D X 1.63 MTG	S1-02804859900	1	1	1	1	1
2	122	S1-02814787000	GROMMET,1-5/8 INCH	S1-02814787000	1	1	1	1	1
2	123	S1-02924406001	PLUG,HOLE,VENT	S1-02924406001	2	2	2	2	2
2	124	S1-02815854000	PLUG,SEAL 2-3/8 INCH HOLE BLACK	S1-02815854000	2	2	2	2	2
2	601	S1-37339583000	DOOR,UPPER ASSEM,14.5,SMOOTH GRANITE	S1-37339583000	1	1			
2	601	S1-37339584000	DOOR,UPPER ASSEM,17.5,SMOOTH GRANITE	S1-37339584000			1	1	
2	601	S1-37339585000	DOOR,UPPER ASSEM,21.0,SMOOTH GRANITE	S1-37339585000					1
2	602	S1-37339569000	DOOR ASSEM,14.5,SMOOTH GRANITE	S1-37339569000	1	1			
2	602	S1-37339570000	DOOR ASSEM,17.5,SMOOTH GRANITE	S1-37339570000			1	1	
2	602	S1-37339571000	DOOR ASSEM,21.0,SMOOTH GRANITE	S1-37339571000					1
2	605	S1-02818916000	KNOB,ASSY,HANDLE/LATCH	S1-02818916000	2	2	2	2	2
2	606	S1-02818916000	KNOB,ASSY,HANDLE/LATCH	S1-02818916000	2	2	2	2	2
2	610	S1-02538899000	SIGHT GLASS OVAL	S1-02538899000	1	1	1	1	1

Section	Callout	Replacement Part #	Description	Original Part #	RG19080 C20MPS1	RG19100 C16MPS1	RG19100 C20MPS1	RG19120 D20MPS1	
2	106	S1-07347223001	PNL,BLW DECK,FURNACE,C-CABINET,4T	S1-07347223001		1			
2	106	S1-07347224001	PNL,BLW DECK,FURNACE,C-CABINET,5T	S1-07347224001	1		1		
2	106	S1-07347225001	PNL,BLW DECK,FURNACE,D-CABINET	S1-07347225001				1	
2	107	S1-07348802001	BRACKET,BLOWER TRACK	S1-07348802001	2	2	2	2	
2	108	S1-02818897000	BRACKET,DOOR,FURNACE,C-CABINET	S1-02818897000	1	1	1		
2	108	S1-02818898000	BRACKET,DOOR,FURNACE,D-CABINET	S1-02818898000				1	
2	110	S1-07327827003	PNL,BLOCKOFF 21 INCH CABINET	S1-07327827003	1	1	1		
2	110	S1-07327827004	PNL,BLOCKOFF 24.5 INCH CABINET	S1-07327827004				1	
2	111	S1-07327841003	CASING,BOTTOM,21.5 INCH,CHAMPAGNE	S1-07327841003	1	1	1		
2	111	S1-07327841004	CASING,BOTTOM 24.5 INCH,CHAMPAGNE	S1-07327841004				1	
2	115	S1-07348810001	PNL,TOP,96 PCT,C-CAB,CHAMPAGNE	S1-07348810001	1	1	1		
2	115	S1-07348811001	PNL,TOP,96 PCT,D-CAB,CHAMPAGNE	S1-07348811001				1	
2	117	S1-07348976001	BAFFLE,CASING,3.13 WIDE	S1-07348976001	2				

2	120	S1-02815853000	PLUG,SEAL 7/8 INCH HOLE BLACK	S1- 02815853 000	5	5	5	5	
2	121	S1-02804859900	GRMMT,PVC,0.88D X 1.63 MTG	S1- 02804859 900	1	1	1	1	
2	122	S1-02814787000	GROMMET,1-5/8 INCH	S1- 02814787 000	1	1	1	1	
2	123	S1-02924406001	PLUG,HOLE,VENT	S1- 02924406 001	2	2	2	2	
2	124	S1-02815854000	PLUG,SEAL 2-3/8 INCH HOLE BLACK	S1- 02815854 000	2	2	2	2	
2	601	S1-37339585000	DOOR,UPPER ASSEM,21.0,SMOOTH GRANITE	S1- 37339585 000	1	1	1		
2	601	S1-37339586000	DOOR,UPPER ASSEM,24.5,SMOOTH GRANITE	S1- 37339586 000				1	
2	602	S1-37339571000	DOOR ASSEM,21.0,SMOOTH GRANITE	S1- 37339571 000	1	1	1		
2	602	S1-37339572000	DOOR ASSEM,24.5,SMOOTH GRANITE	S1- 37339572 000				1	
2	605	S1-02818916000	KNOB,ASSY,HANDLE/LATCH	S1- 02818916 000	2	2	2	2	
2	606	S1-02818916000	KNOB,ASSY,HANDLE/LATCH	S1- 02818916 000	2	2	2	2	
2	610	S1-02538899000	SIGHT GLASS OVAL	S1- 02538899 000	1	1	1	1	

Suggested stocking items are shown with shaded item number.

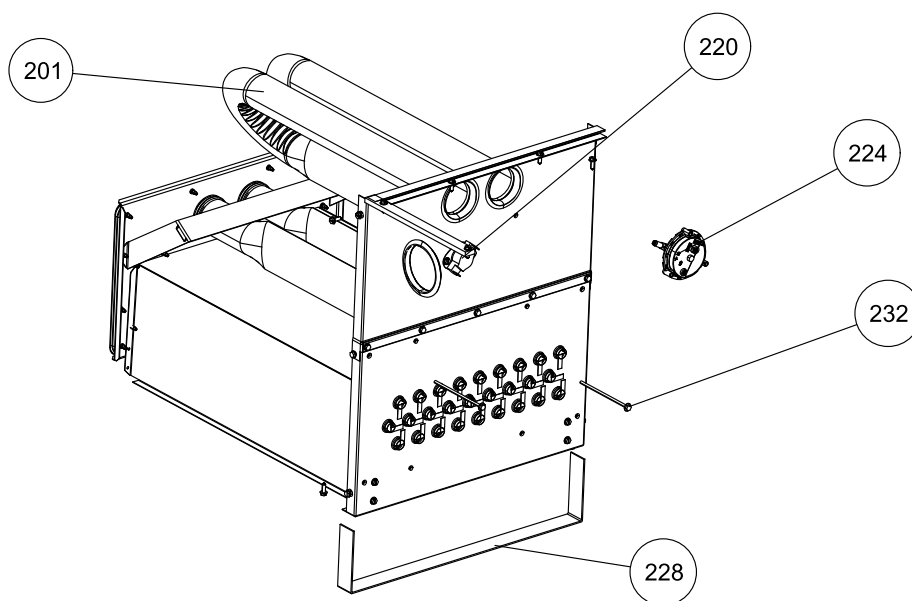


Section : INDOOR BLOWER PARTS

Section	Callout	Replacement Part #	Description	Original Part #	RG19040 A10MPS1	RG19060 A10MPS1	RG19060 B12MPS1	RG19080 B12MPS1	RG19080 C16MPS1
4	301	S1-37347154001	HOUSING,BLOWER,11-8	S1-37347154001	1	1	1	1	
4	301	S1-37347155001	HOUSING,BLOWER,11-10	S1-37347155001					1
4	305	S1-32439721020	MTR,BLW,PRGRM,1/2,115V,EC M-ENSITE	S1-32439721020				1	
4	305	S1-32440874006	MTR,BLW,PRGRM,3/4,115V,EC M-ENSITE	S1-32440874006					1
4	305	S1-32440874009	MTR,BLW,PRGRM,1/2,115V,EC M-ENSITE	S1-32440874009	1				
4	305	S1-32440874010	MTR,BLW,PRGRM,1/2,115V,EC M-ENSITE	S1-32440874010		1			
4	305	S1-32440874011	MTR,BLW,PRGRM,1/2,115V,EC M-ENSITE	S1-32440874011			1		
4	305A	S1-02439721000	MTR,BLW,UNPRGM,1/2,115V,E CM,REGAL-ENSITE	S1-02439721000	1	1	1	1	
4	305A	S1-02439722000	MTR,BLW,UNPRGM,3/4,115V,E CM,REGAL-ENSITE	S1-02439722000					1
4	306	S1-02619654014	WHL,BLW,11 X 10,CW,1/2 BORE	S1-02619654014					1
4	306	S1-02619654709	WHL,BLW,11 X 8,CW,1/2 BORE	S1-02619654709	1	1	1	1	
4	307	S1-32650612001	MOUNT,ASSEMBLY,BLWR MOTOR	S1-32650612001	1	1	1	1	1
4	311	S1-02108968000	NUT,HEX,SELF LOCKING,1/4-20	S1-02108968000	1	1	1	1	1

Section	Callout	Replacement Part #	Description	Original Part #	RG19080 C20MPS1	RG19100 C16MPS1	RG19100 C20MPS1	RG19120 D20MPS1	
4	301	S1-37347155001	HOUSING,BLOWER,11-10	S1-37347155001		1			
4	301	S1-37347156001	HOUSING,BLOWER,11-11	S1-37347156001	1		1	1	
4	305	S1-32439724009	DELETE	S1-32439724009	1				
4	305	S1-32440874007	MTR,BLW,PRGRM,3/4,115V,EC M-ENSITE	S1-32440874007		1			
4	305	S1-32440874013	MTR,BLW,PRGRM,1.0,115V,EC M-ENSITE	S1-32440874013			1		
4	305	S1-32440874014	MTR,BLW,PRGRM,1.0,115V,EC M-ENSITE	S1-32440874014				1	
4	305A	S1-02439722000	MTR,BLW,UNPRGM,3/4,115V,E CM,REGAL-ENSITE	S1-02439722000		1			
4	305A	S1-02439724000	MTR,BLW,UNPRGM,1.0,115V,E CM,REGAL-ENSITE	S1-02439724000	1		1	1	
4	306	S1-02619654014	WHL,BLW,11 X 10,CW,1/2 BORE	S1-02619654014		1			
4	306	S1-02638510000	WHL,BLW 11X11,CW,1/2" BORE	S1-02638510000	1		1	1	
4	307	S1-32650612001	MOUNT,ASSEMBLY,BLWR MOTOR	S1-32650612001	1	1	1	1	
4	311	S1-02108968000	NUT,HEX,SELF LOCKING,1/4-20	S1-02108968000	1	1	1	1	

Suggested stocking items are shown with shaded item number.



Section : HEAT EXCHANGER

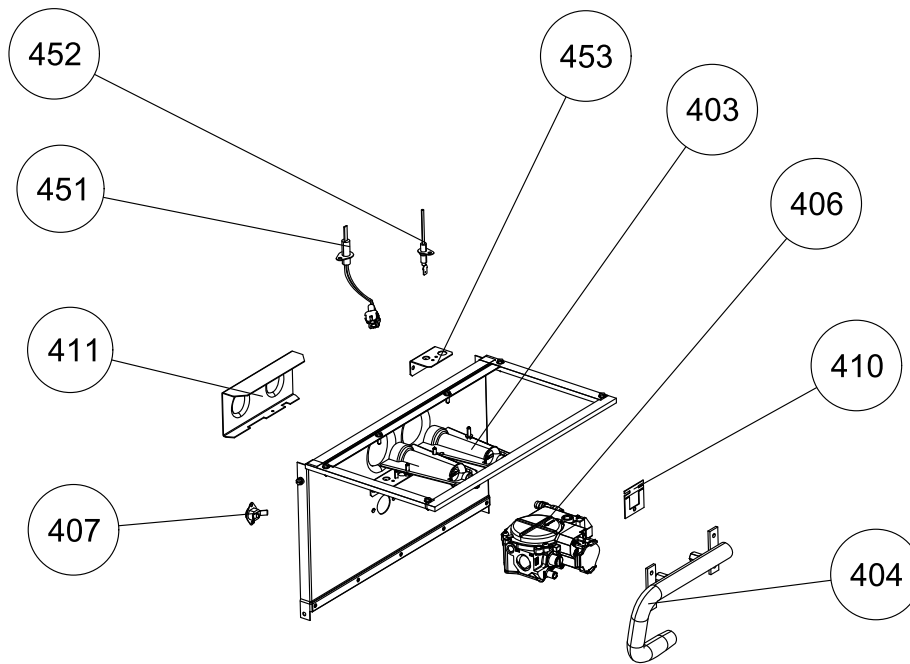
Section	Callout	Replacement Part #	Description	Original Part #	RG19040 A10MPS1	RG19060 A10MPS1	RG19060 B12MPS1	RG19080 B12MPS1	RG19080 C16MPS1
5A	201	S1-37348956001	HEAT EXCH,2 CELL,96 PCT,A-CAB,SS	S1-37348956001	1				
5A	201	S1-37348957001	HEAT EXCH,3 CELL 96 PCT,A-CAB,SS	S1-37348957001		1			
5A	201	S1-37348958001	HEAT EXCH,3 CELL 96 PCT,B-CAB,SS	S1-37348958001			1		
5A	201	S1-37348959001	HEAT EXCH,4 CELL 96 PCT,B-CAB,SS	S1-37348959001				1	
5A	201	S1-37348960001	HEAT EXCH,4 CELL 96 PCT,C-CAB,SS	S1-37348960001					1
5A	220	S1-02541321000	CNTRL,TEMP,150 OPEN,110 CLOSE,AUTO	S1-02541321000		1	1		
5A	220	S1-02541322000	CNTRL,TEMP,160 OPEN,120 CLOSE,AUTO	S1-02541322000					1
5A	221	S1-02818892000	PAN,CONDENSATE,FURN,040A 10,NON-MOD	S1-02818892000	1				
5A	221	S1-02818893000	PAN,CONDENSATE,FURN,060A 10,NON-MOD	S1-02818893000		1			
5A	221	S1-02818894000	PAN,CONDENSATE,FURN,060B 12,NON-MOD	S1-02818894000			1		
5A	221	S1-02818900000	PAN,CONDENSATE,FURN,080C 16,NON-MOD	S1-02818900000					1
5A	222	S1-32649692000	BLOWER,COMBUSTION,90% INDUCER,KIT	S1-32649692000	1	1	1	1	1
5A	223	S1-02439706000	SWITCH,PRES,AIR,0.10 IWC ON FALL,SPNO	S1-02439706000		1	1	1	1
5A	224	S1-02439715000	SWITCH,PRESSURE,1.00	S1-02439715000	1	1	1	1	1

5A	225	S1-02815539000	HOSE,RAIN GUTTER	S1-02815539000	1	1	1	1	1
5A	226	S1-02815540000	HOSE,CONDENSATE	S1-02815540000	1	1	1	1	
5A	226	S1-02815856000	HOSE,CONDENSATE	S1-02815856000					1
5A	227	S1-02816427000	TUBING,BLACK (EPDM)	S1-02816427000	2	2	2	2	2
5A	228	S1-02809443001	GASKET,FIBERGLASS	S1-02809443001	2	2	2	2	3
5A	229	S1-02815878001	TUBING,ROUND,FORMED TUBE,BLACK EPDM	S1-02815878001	1	1	1	1	1
5A	230	S1-02818877000	ADAPTER,VENT,UPFLOW,96 PERCENT	S1-02818877000	1	1	1	1	1
5A	232	S1-02131420000	SCREW,INDUCER,8-32 X 3.5 INCH LG	S1-02131420000	4	4	4	4	4

Section	Callout	Replacement Part #	Description	Original Part #	RG19080 C20MPS1	RG19100 C16MPS1	RG19100 C20MPS1	RG19120 D20MPS1	
5A	201	S1-37348960001	HEAT EXCH,4 CELL 96 PCT,C-CAB,SS	S1-37348960001	1				
5A	201	S1-37348961001	HEAT EXCH,5 CELL 96 PCT,C-CAB,SS	S1-37348961001		1	1		
5A	201	S1-37348962001	HEAT EXCH,6 CELL 96 PCT,D-CAB,SS	S1-37348962001				1	
5A	220	S1-02541322000	CNTRL,TEMP,160 OPEN,120 CLOSE,AUTO	S1-02541322000		1	1		
5A	220	S1-02553180000	SWITCH,LIMIT,170/130 (O/C),AUTO	S1-02553180000				1	
5A	220	S1-02553181000	SWITCH,LIMIT,180/140 (O/C),AUTO	S1-02553181000	1				
5A	221	S1-02818900000	PAN,CONDENSATE,FURN,080C 16,NON-MOD	S1-02818900000	1				
5A	221	S1-02818902000	PAN,CONDENSATE,FURN,100C 16,NON-MOD	S1-02818902000		1	1		
5A	221	S1-02818904000	PAN,CONDENSATE,FURN,120D 20,NON-MOD	S1-02818904000				1	
5A	222	S1-32649692000	BLOWER,COMBUSTION,90% INDUCER,KIT	S1-32649692000	1	1	1	1	
5A	223	S1-02439706000	SWITCH,PRES,AIR,0.10 IWC ON FALL,SPNO	S1-02439706000	1				
5A	223	S1-02439716000	SWITCH,PRESSURE,0.20	S1-02439716000		1	1	1	
5A	224	S1-02439714000	SWITCH,PRESSURE,0.90	S1-02439714000		1	1	1	
5A	224	S1-02439715000	SWITCH,PRESSURE,1.00	S1-02439715000	1				
5A	225	S1-02815539000	HOSE,RAIN GUTTER	S1-02815539000	1	1	1	1	
5A	226	S1-02815856000	HOSE,CONDENSATE	S1-02815856000	1	1	1		
5A	226	S1-02815857000	HOSE,CONDENSATE	S1-02815857000				1	
5A	227	S1-02816427000	TUBING,BLACK (EPDM)	S1-02816427000	2	2	2	2	
5A	228	S1-02809443001	GASKET,FIBERGLASS	S1-02809443001	3	3	3	3	
5A	229	S1-02815878001	TUBING,ROUND,FORMED TUBE,BLACK EPDM	S1-02815878001	1	1	1	1	

5A	230	S1-02818877000	ADAPTER, VENT, UPFLOW, 96 PERCENT	S1-02818877000	1	1	1	1	
5A	232	S1-02131420000	SCREW, INDUCER, 8-32 X 3.5 INCH LG	S1-02131420000	4	4	4	4	

Suggested stocking items are shown with shaded item number.



Section : BURNER ASSEMBLY

Section	Callout	Replacement Part #	Description	Original Part #	RG19040 A10MPS1	RG19060 A10MPS1	RG19060 B12MPS1	RG19080 B12MPS1	RG19080 C16MPS1
5B	402	S1-07339394001	SUPPORT,BURNER	S1-07339394001				1	1
5B	403	S1-02920482000	BRNR,GAS,MAIN	S1-02920482000	2	3	3	4	4
5B	404	S1-02924466000	MANIFOLD,GAS,2 CELL	S1-02924466000	1				
5B	404	S1-02924467000	MANIFOLD,GAS,3 CELL	S1-02924467000		1	1		
5B	404	S1-02924468000	MANIFOLD,GAS,4 CELL	S1-02924468000				1	1
5B	405	S1-02921182245	ORIFICE,BURNER DRILL SIZE 45	S1-02921182245	2	3	3	4	4
5B	406	S1-32544123000	KIT,VLV,GAS,WR SINGLE STAGE,J STYLE	S1-32544123000	1	1	1	1	1
5B	407	S1-02541318000	SWITCH,LIMIT 250 MANUAL RESET	S1-02541318000	1	2	2	2	2
5B	410	S1-37327943001	KIT,BURNER ALIGNMENT BRKT	S1-37327943001	1	2	2	2	2
5B	411	S1-37339494001	KIT,BURNER PLATE,95%,40M	S1-37339494001	1				
5B	411	S1-37339494002	KIT,BURNER PLATE,95%,60M	S1-37339494002		1	1		
5B	411	S1-37339494003	KIT,BURNER PLATE,95%,80M	S1-37339494003				1	1
5B	451	S1-02545231000	IGNITER,SILICON NITRIDE,KYOCERA	S1-02545231000	1	1	1	1	1
5B	452	S1-02537499000	SENSOR,FLAME,GAS	S1-02537499000	1	1	1	1	1

5B	453	S1-07348801001	BRACKET,IGNITER/FLAME SENSOR	S1-07348801001	2	2	2	2	2
----	-----	----------------	------------------------------	----------------	---	---	---	---	---

Section	Callout	Replacement Part #	Description	Original Part #	RG19080 C20MPS1	RG19100 C16MPS1	RG19100 C20MPS1	RG19120 D20MPS1	
5B	402	S1-07339394001	SUPPORT,BURNER	S1-07339394001	1				
5B	403	S1-02920482000	BRNR,GAS,MAIN	S1-02920482000	4	5	5	6	
5B	404	S1-02924468000	MANIFOLD,GAS,4 CELL	S1-02924468000	1				
5B	404	S1-02924469000	MANIFOLD,GAS,5 CELL	S1-02924469000		1	1		
5B	404	S1-02924470000	MANIFOLD,GAS,6 CELL	S1-02924470000				1	
5B	405	S1-02921182245	ORIFICE,BURNER DRILL SIZE 45	S1-02921182245	4	5	5	6	
5B	406	S1-32544123000	KIT,VLV,GAS,WR SINGLE STAGE,J STYLE	S1-32544123000	1	1	1	1	
5B	407	S1-02541318000	SWITCH,LIMIT 250 MANUAL RESET	S1-02541318000	2	2	2	2	
5B	410	S1-37327943001	KIT,BURNER ALIGNMENT BRKT	S1-37327943001	2	2	2	2	
5B	411	S1-37339494003	KIT,BURNER PLATE,95%,80M	S1-37339494003	1				
5B	411	S1-37339494004	KIT,BURNER PLATE,95%,100M	S1-37339494004		1	1		
5B	411	S1-37339494005	KIT,BURNER PLATE,95%,120M	S1-37339494005				1	
5B	451	S1-02545231000	IGNITER,SILICON NITRIDE,KYOCERA	S1-02545231000	1	1	1	1	
5B	452	S1-02537499000	SENSOR,FLAME,GAS	S1-02537499000	1	1	1	1	
5B	453	S1-07348801001	BRACKET,IGNITER/FLAME SENSOR	S1-07348801001	2	2	2	2	

Suggested stocking items are shown with shaded item number.

Section : MISCELLANEOUS

Section	Callout	Replacement Part #	Description	Original Part #	RG19040 A10MPS1	RG19060 A10MPS1	RG19060 B12MPS1	RG19080 B12MPS1	RG19080 C16MPS1
8	NS	1152887	LABEL - BLANK WIRING DIAGRAM 8.5 X 11.0	1152887	1	1	1	1	1
8	NS	6125056	WIRING DIAGRAM - 8.5 X 11.0, 96% SS	6125056	1	1	1	1	1
8	NS	S1-02527642000	CABLE STRAP,BLACK	S1-02509607000	1	1	5	1	1
8	NS	S1-02522638000	BUSHING,SNAP	S1-02522638000	1	1	1	1	1
8	NS	S1-02531807000	BUSHING,THREADED	S1-02531807000	1	1	1	1	1
8	NS	S1-02554124000	SWITCH,LIMIT,170/130 (O/C),AUTO	S1-02554124000	1			1	
8	NS	S1-02554125000	SWITCH,PRES,AIR,0.08 IWC ON FALL,SPNO	S1-02554125000	1				
8	NS	S1-02815542000	GROMMET,FLEX SEALING PVC	S1-02815542000	1	1	1	1	1
8	NS	S1-02818947000	PAN.CONDENSATE,FURN,080B 12,NON-MOD	S1-02818947000				1	
8	NS	S1-02924480000	PARTS PACKAGE,040-080 NEW 95% FURNACES	S1-02924480000	1	1	1	1	1
8	1	S1-02812499001	TUBING,RUBBER,.313OD,.188I D,FT,GREY(M10)	S1-02812499001	2	2	2	2	2

Section	Callout	Replacement Part #	Description	Original Part #	RG19080 C20MPS1	RG19100 C16MPS1	RG19100 C20MPS1	RG19120 D20MPS1	
8	NS	1152887	LABEL - BLANK WIRING DIAGRAM 8.5 X 11.0	1152887	1	1	1	1	
8	NS	6125056	WIRING DIAGRAM - 8.5 X 11.0, 96% SS	6125056	1	1	1	1	
8	NS	S1-02527642000	CABLE STRAP,BLACK	S1-02509607000	1	1	6	1	
8	NS	S1-02522638000	BUSHING,SNAP	S1-02522638000	1	1	1	1	
8	NS	S1-02531807000	BUSHING,THREADED	S1-02531807000	1	1	1	1	
8	NS	S1-02815542000	GROMMET,FLEX SEALING PVC	S1-02815542000	1	1	1	1	
8	NS	S1-02924480000	PARTS PACKAGE,040-080 NEW 95% FURNACES	S1-02924480000	1	1	1	1	
8	1	S1-02812499001	TUBING,RUBBER,.313OD,.188I D,FT,GREY(M10)	S1-02812499001	2	2	2	2	

Suggested stocking items are shown with shaded item number.

Model series repair parts lists are generated for each model number from the last production bill of material.

Major components and suggested stocking items are shown with shaded item number.

Repair parts lists are subject to change without notice.

TO ORDER AUTHORIZED FACTORY REPLACEMENT PARTS - Contact your Source1 HVAC Parts Distributor or visit our website at www.Source1Parts.com for a Distributor and Dealer listing.

Copyright © 2025 by Johnson Controls Inc. All rights reserved.

Johnson Controls Unitary Products